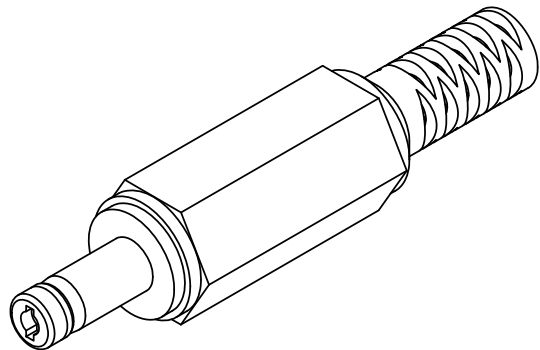
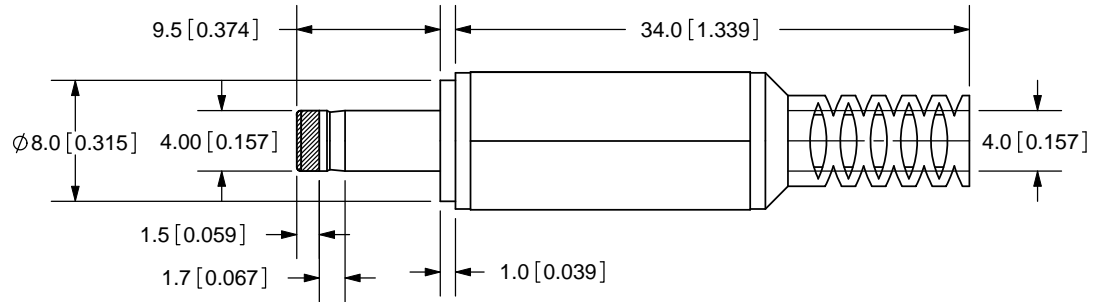
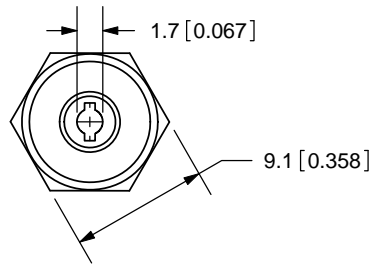


REV.	DESCRIPTION	DATE
A	NEW DRAWING	5/15/2006



TOLERANCE:
X.X ±0.2mm
X.XX ±0.1mm
X.XXX ±0.05mm



CUI INC

20050 SW 112th Ave.
Tualatin, OR 97062
Phone: 503-612-2300
800-275-4899
Fax: 503-612-2383
Website: www.cui.com

SPECIFICATIONS:
RATING: 24V DC @ 2.5A

	MATERIAL	PLATING	TITLE: DC POWER PLUG	REV: A
COVER	PVC	Black Color	PART NO. PP-013	UNITS: MM [INCHES]
BARREL	Brass	Nickel		
TERMINALS	Brass	Nickel	DRAWN BY: ZRJ	APPROVED BY:
TIP INSULATOR	POM	Yellow Color		

PC FILE NAME:
PP-013

COPYRIGHT 2007 BY CUI INC.